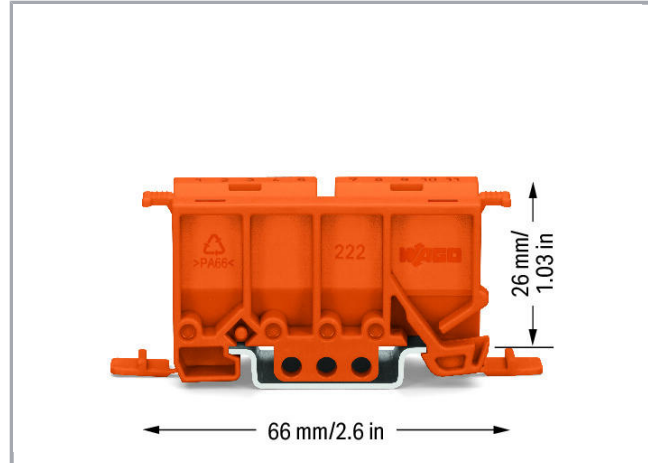


Fișă tehnică | Număr articol: 222-500

Mounting carrier; 222 Series; for DIN-35 rail mounting/screw mounting;
orange



www.wago.com/222-500



Date

Geometrical Data

Width	22 mm / 0.866 inch
Height from upper-edge of DIN-35 rail	26 mm / 1.024 inch
Depth	66 mm / 2.598 inch

Supus modificărilor.

WAGO Kontakttechnik GmbH & Co. KG
/Representative Office Romania
Sos. Pipera-Tunari nr. 1/1
building 1, 2nd floor | 077190 Voluntari, Ilfov
Tel.: +40-(0)31 421 85 68 | Email: info-RO@wago.com

Aveți întrebări despre produsele noastre?
Vă stăm la dispoziție pentru preluarea apelului la +40 (0) 31 421 85 68.



Material Data

Color	orange
Fire load	0,326 MJ
Weight	10,9g

Commercial data

Product Group	7 (Push Wire Conn.)
Packaging type	BOX
Country of origin	CN
GTIN	4045454714765
Customs Tariff No.	39269097900

Descărcări

Documentation

Additional Information

Technical explanations	Apr 3, 2019	pdf 2,1 MB	Descărcare
------------------------	-------------	---------------	------------

CAD/CAE-Data

CAD data

2D/3D Models 222-500	URL	Descărcare
----------------------	-----	------------

CAE data

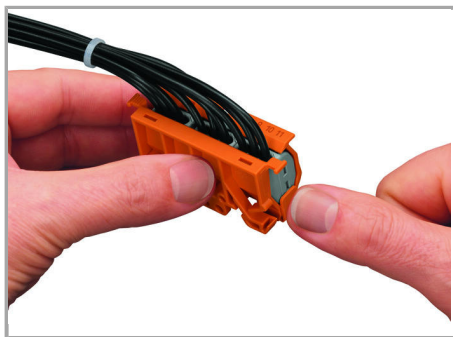
EPLAN Data Portal 222-500	Descărcare
WSCAD Universe 222-500	Descărcare

Installation Notes

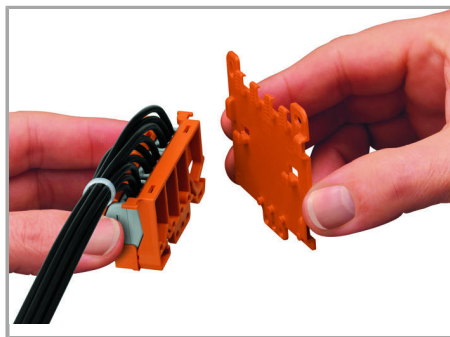
Supus modificărilor.

WAGO Kontakttechnik GmbH & Co. KG
/Representative Office Romania
Sos. Pipera-Tunari nr. 1/1
building 1, 2nd floor | 077190 Voluntari, Ilfov
Tel.: +40-(0)31 421 85 68 | Email: info-RO@wago.com

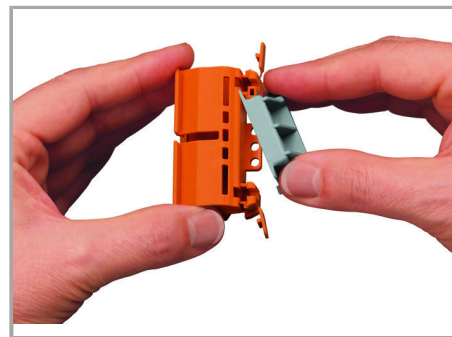
Aveți întrebări despre produsele noastre?
Vă stăm la dispoziție pentru preluarea apelului la +40 (0) 31 421 85 68.



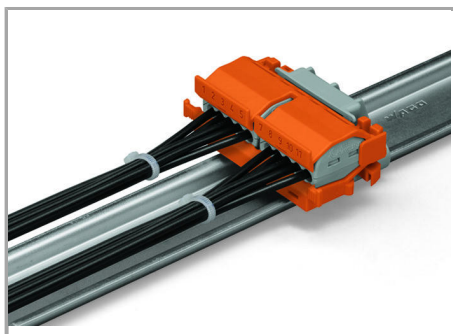
Snapping the lateral connector safety lock onto the mounting carrier.



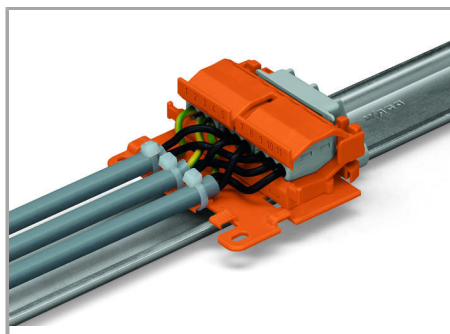
Securing a strain relief plate (222-505) to the mounting carrier.



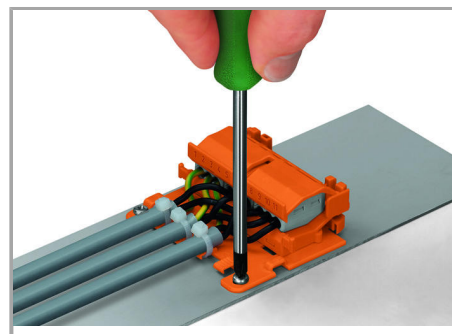
Snapping the angled DIN-rail adapter (222-510) onto the mounting carrier.



Horizontal mounting on DIN-35 rail using an angled DIN-rail adapter.

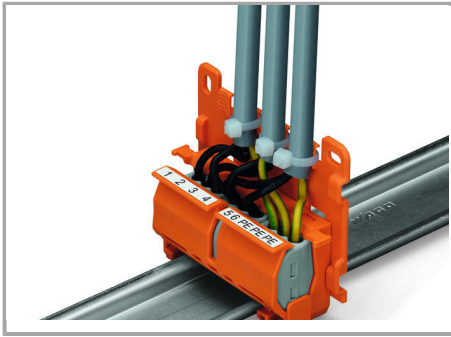


Horizontal mounting on DIN-35 rail using a strain relief plate

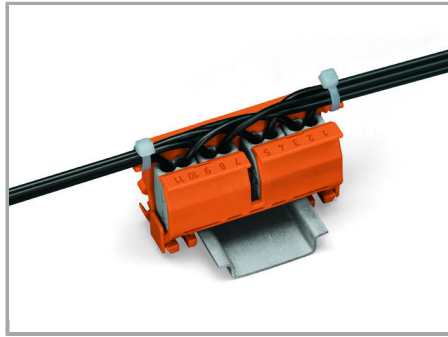


Horizontal screw mounting with strain relief plate on a flat surface

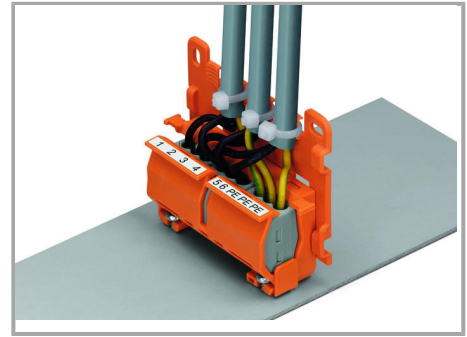
Supus modificărilor.



Vertical mounting with strain relief plate on DIN-35 rail;
Marking clamping units via marking strips.



Strain relief via cable ties on the mounting carrier (transverse to the connectors' wiring direction);
Molded marking clamping units



Mounting carrier with strain relief plate mounted vertically on a plate;
Round cable secured via strain relief lug.

Supus modificărilor.