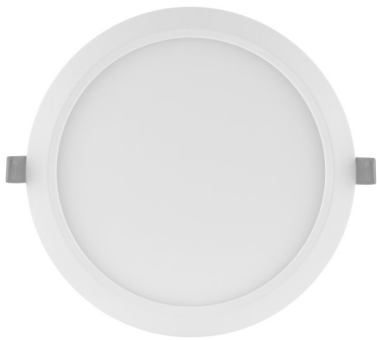


# PRODUCT DATASHEET

## DL SLIM DN 210 18 W 4000 K WT

**DOWNLIGHT SLIM ROUND | Flat downlights with integrated driver, round shape**



---

### AREAS OF APPLICATION

- Direct replacement for luminaires with compact fluorescent lamps
- General illumination
- Public areas
- Stairways
- Corridors
- Foyers
- Shops

---

### PRODUCT BENEFITS

- Very slim housing
- Low installation depth
- High luminous efficacy
- Energy savings up to 60 % (compared to luminaires that use CFL lamps)
- Very homogenous light
- Functional design
- Easy installation with fast connection
- Simple installation thanks to integrated driver

---

### PRODUCT FEATURES

- Small visible bezel
- Connector box with push wire terminal for tool-free connection
- Light guide made of non-yellowing PMMA for long lifetime



## TECHNICAL DATA

### Electrical data

Nominal wattage	18.00 W
Operating mode	Integrated LED driver
Nominal voltage	220...240 V
Power factor $\lambda$	0.50
Mains frequency	50/60 Hz
Inrush current	17.0 A
Total harmonic distortion	< 20 %
Inrush current time $T_{h50}$	56 $\mu$ s

### Luminaire control gear data

Output current	295 mA
ECG - Output ripple current	<6,5 %
Max. no. of lum. on circuit break. B16 A	44
Max. no. of lum. on circuit break. C10 A	35
Max. no. of lum. on circuit break. C16 A	56

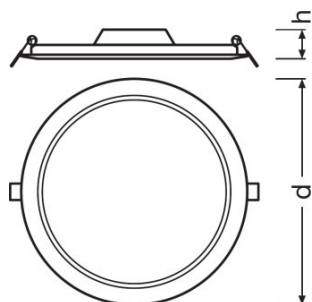
### Photometrical data

Color temperature	4000 K
Luminous flux	1530 lm
Luminous efficacy	85 lm/W
Standard deviation of color matching	<6 sdc <sub>m</sub>
Light color (designation)	Cool White
Color rendering index Ra	>80

### Light technical data

Beam angle	120 °
------------	-------

Dimensions & weight



<b>Diameter</b>	225.0 mm
<b>Height</b>	30.0 mm
<b>Product weight</b>	435.00 g
<b>Mounting diameter</b>	210.0 mm

Colors & materials

<b>Body material</b>	Polycarbonate (PC)
<b>Product color</b>	White
<b>Housing color</b>	White
<b>Cover material</b>	Polycarbonate (PC)
<b>Light emitting surface material</b>	Polycarbonate

Temperatures & operating conditions

<b>Ambient temperature range</b>	-20...+50 °C
----------------------------------	--------------

Lifespan

<b>Number of switching cycles</b>	50000
<b>Lifespan L70/B50 at 25 °C</b>	30000 h
<b>Lifespan L80/B10 at 25 °C</b>	20000 h
<b>Lifespan L90/B10 at 25 °C</b>	12000 h

Additional product data

<b>Mounting type</b>	Recessed
<b>Mounting location</b>	Ceiling / Wall

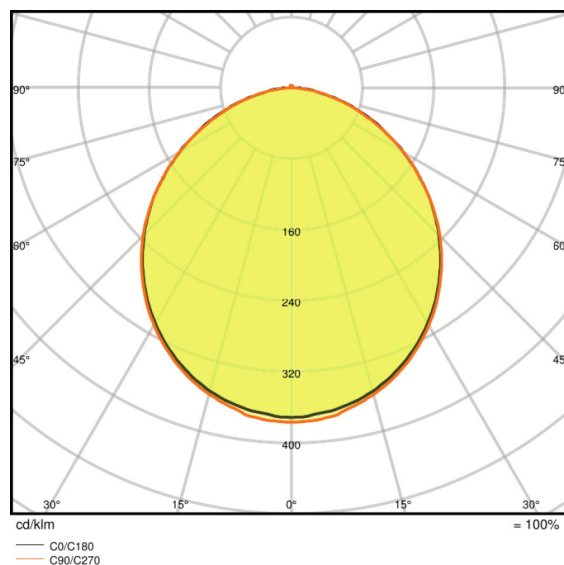
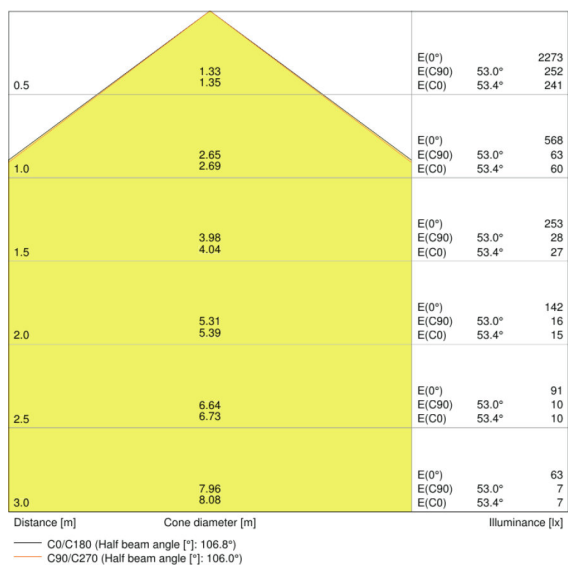
Capabilities

<b>Dimmable</b>	No
<b>Type of connection</b>	Screwless terminal, 2-Pole
<b>LED module replaceable</b>	Not replaceable

Certificates & standards

Protection class IK (shock resistance)	IK03
Glow Wire Test according to IEC 695-2-1	650 °C
Photobio. safety group acc. to EN62471	RG 0
Protection class	II
Type of protection	/
Standards	CE/CB/EAC/RoHS

Light Distribution



LDC typ cone

LDC typ polar

EQUIPMENT / ACCESSORIES

– Surface mounting frames available as accessories

LOGISTICAL DATA

Product code	Packaging unit (Pieces/Unit)	Dimensions (length x width x height)	Gross weight	Volume
4058075079113	Folding carton box 1	45 mm x 250 mm x 230 mm	582.00 g	2.59 dm <sup>3</sup>
4058075079120	Shipping carton box 6	290 mm x 270 mm x 250 mm	3439.00 g	19.58 dm <sup>3</sup>

The mentioned product code describes the smallest quantity unit which can be ordered. One shipping unit can contain one or more single products. When placing an order, for the quantity please enter single or multiples of a shipping unit.

---

#### REFERENCES / LINKS

For Guarantee see

▶ [www.ledvance.com/guarantee](http://www.ledvance.com/guarantee)

---

#### DISCLAIMER

Subject to change without notice. Errors and omission excepted. Always make sure to use the most recent release.