

# BQ13FB07C0-MB3-

Price

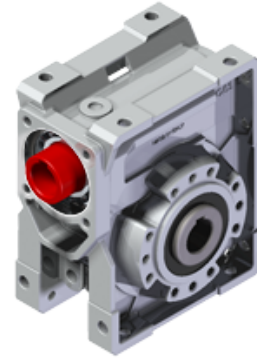
Lead time

## Configuration

Type:	<b>B</b>
Size:	<b>Q13</b>
Input:	<b>Metric</b>
Output shaft/bore:	<b>Standard ø45</b>
Mounting:	<b>FB</b>
Mounting position:	<b>B3</b>
Input bore:	-
Coupling:	-

## Technical data

Input rpm ( $n_1$ ):	<b>n.a. min<sup>-1</sup></b>
Output rpm ( $n_2$ ):	<b>n.a. min<sup>-1</sup></b>
Ratio (i):	<b>40.00</b>
Nominal power ( $P_{1R}$ ):	<b>4.90 kW</b>
Nominal torque ( $M_{2R}$ ):	<b>1043 Nm</b>
Dynamic efficiency (RD):	<b>78%</b>



## Selection

Motor power ( $P_{1M}$ ):	<b>n.a.</b>
Output torque ( $M_{2M}$ ):	<b>n.a.</b>
Service factor (f.s.):	<b>n.a.</b>

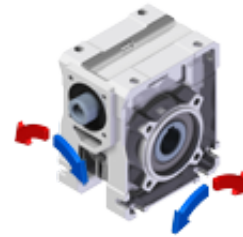
## Lubrication

Oil quantity:	<b>4.50l</b>
AGIP:	<b>Blasia 460</b>

## On our website

<a href="#">Features</a>	<a href="#">Irreversibility</a>
<a href="#">How to order</a>	<a href="#">Thermal limit</a>
<a href="#">Dimension</a>	<a href="#">Atex certification</a>
<a href="#">Accessories/options</a>	<a href="#">Installation check list</a>
<a href="#">Electric motors</a>	<a href="#">Spare parts list</a>
<a href="#">Selection guide - fs</a>	<a href="#">Complete catalogue</a>
<a href="#">Mounting pos. - lubricant</a>	<a href="#">Selection by power (xls)</a>
<a href="#">Calc. the overhung load</a>	

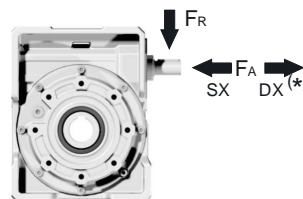
## Direction of rotation



## Note

## Axial and radial loads

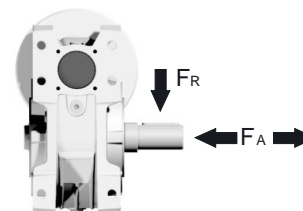
Input shaft



$n_2$ (min <sup>-1</sup> )	FA (N)	FR (N)
<b>1400</b>	300	1500

\*Strong axial loads in the DX direction are not allowed

Output shaft



$n_2$ (min <sup>-1</sup> )	FA (N)	FR (N)
<b>200</b>	960	4800
<b>150</b>	1100	5500
<b>100</b>	1240	6200
<b>75</b>	1380	6900
<b>50</b>	1560	7800
<b>25</b>	2000	10000
<b>15</b>	2400	12000

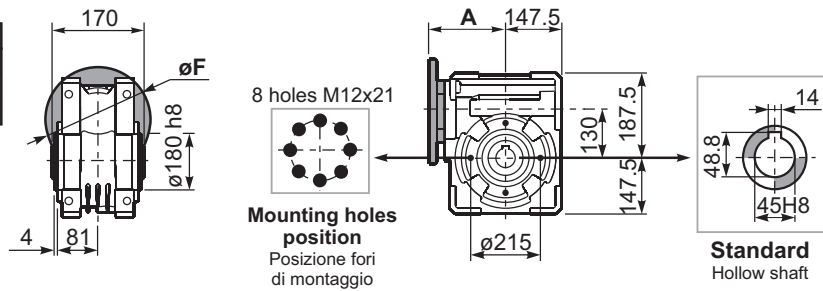
Square - Gear  
1050Nm **Q13**

3D dimensions on the Web

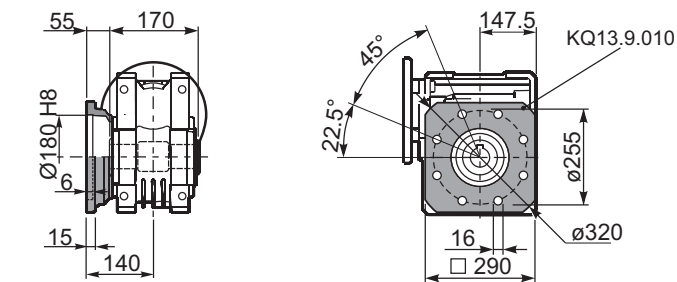
PQ13**FB**... Basic wormbox  
Riduttore base

Gearbox weight  
peso riduttore **48.0 kg**

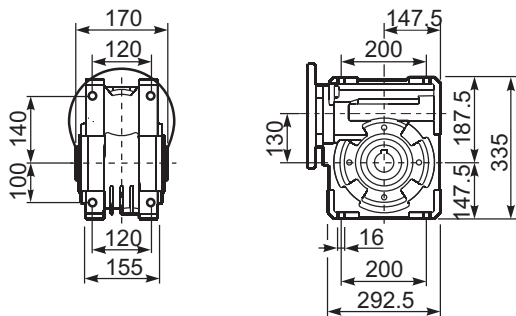
M. flanges	Kit code	øF	A
90B5	KQ13.4.041	200	180
100/112B5	KQ13.4.042	250	180
132B5	KQ13.4.043	300	180



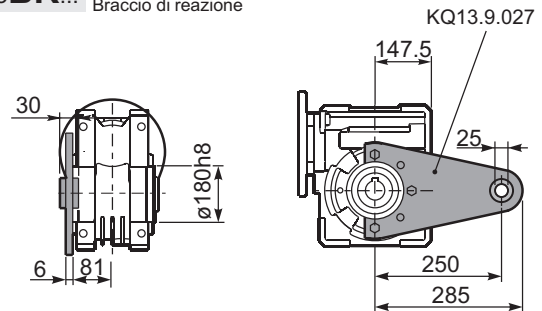
PQ13**FC**... Square flange  
Flangia quadrata



PQ13**FB**... Feet  
Piedini

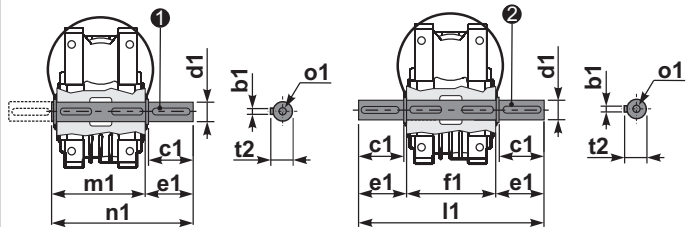


PQ13**BR**... Reaction arm  
Braccio di reazione



PQ13.....**S**... Single Shaft  
Albero lento semplice

PQ13.....**D**... Double Shaft  
Albero lento bisp.



① kit cod. KQ13.5.028 type B

② kit cod. KQ13.5.029 type B

	b1	c1	d1	e1	f1	l1	m1	n1	t2	o1
type	14	80	45 <sup>-0.005</sup> <sub>-0.020</sub>	85	170	340	180	265	48.5	M16
type	-	-	-	-	-	-	-	-	-	-