

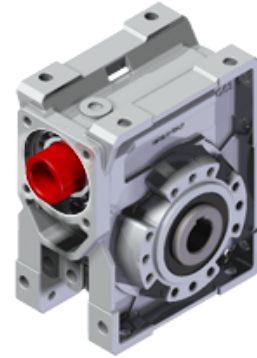
# BQ30FB07C0-MB3-

Price

Lead time

## Configuration

Type:	<b>B</b>
Size:	<b>Q30</b>
Input:	<b>Metric</b>
Output shaft/bore:	<b>Standard ø14</b>
Mounting:	<b>FB</b>
Mounting position:	<b>B3</b>
Input bore:	-
Coupling:	-



## Technical data

Input rpm ( $n_1$ ):	<b>n.a. min<sup>-1</sup></b>
Output rpm ( $n_2$ ):	<b>n.a. min<sup>-1</sup></b>
Ratio (i):	<b>40.00</b>
Nominal power ( $P_{1R}$ ):	<b>0.13 kW</b>
Nominal torque ( $M_{2R}$ ):	<b>20 Nm</b>
Dynamic efficiency (RD):	<b>57%</b>

## Selection

Motor power ( $P_{1M}$ ):	<b>n.a.</b>
Output torque ( $M_{2M}$ ):	<b>n.a.</b>
Service factor (f.s.):	<b>n.a.</b>

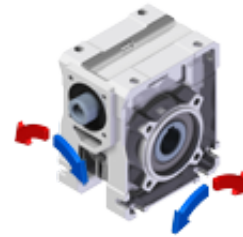
## Lubrication

Oil quantity:	<b>0.03l</b>
AGIP:	<b>Telium VSF 320</b>
SHELL:	<b>Omala S4 WE 320</b>

## On our website

<a href="#">Features</a>	<a href="#">Irreversibility</a>
<a href="#">How to order</a>	<a href="#">Thermal limit</a>
<a href="#">Dimension</a>	<a href="#">Atex certification</a>
<a href="#">Accessories/options</a>	<a href="#">Installation check list</a>
<a href="#">Electric motors</a>	<a href="#">Spare parts list</a>
<a href="#">Selection guide - fs</a>	<a href="#">Complete catalogue</a>
<a href="#">Mounting pos. - lubricant</a>	<a href="#">Selection by power (xls)</a>
<a href="#">Calc. the overhung load</a>	

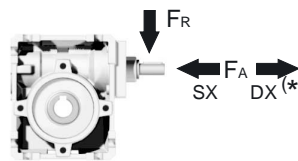
## Direction of rotation



## Note

## Axial and radial loads

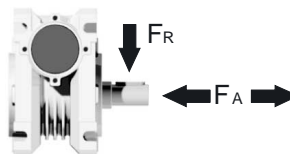
Input shaft



$n_2$ (min <sup>-1</sup> )	FA (N)	FR (N)
<b>1400</b>	20	100

\*Strong axial loads in the DX direction are not allowed

Output shaft



$n_2$ (min <sup>-1</sup> )	FA (N)	FR (N)
<b>200</b>	120	600
<b>150</b>	140	700
<b>100</b>	160	800
<b>75</b>	180	900
<b>50</b>	200	1000
<b>25</b>	250	1250
<b>15</b>	280	1400

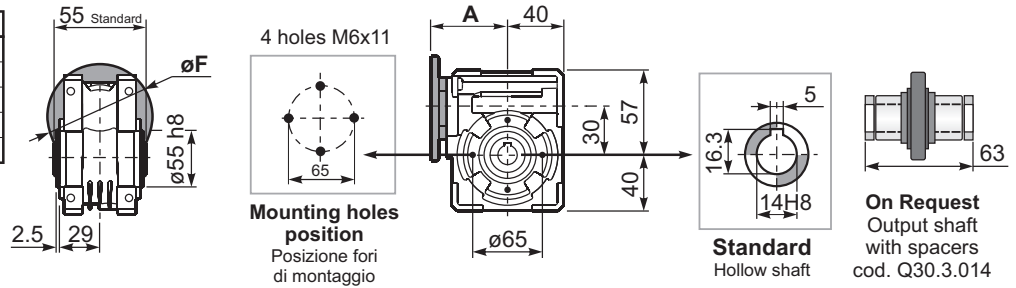
Square - Gear  
21Nm **Q30**

3D dimensions on the Web

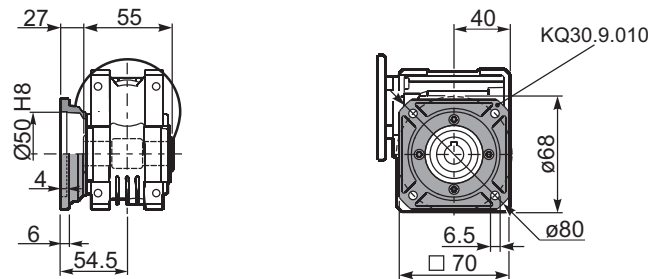
PQ30**FB**... Basic wormbox  
Riduttore base

Gearbox weight  
peso riduttore **1.15 kg**

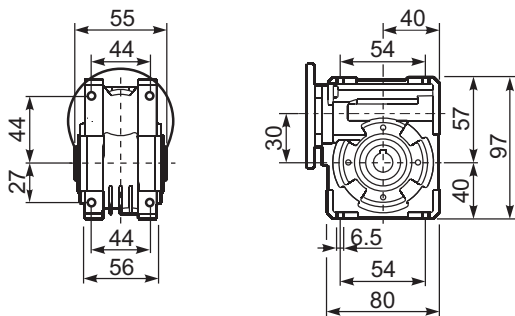
M. flanges	Kit code	øF	A
56B5	K030.4.041	120	61.5
63B5	K030.4.042	140	62.5
56B14	K030.4.046	80	61.5
63B14	K030.4.045	90	62.5



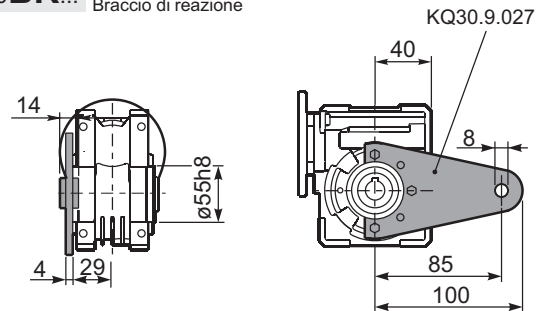
PQ30**FC**... Square flange  
Flangia quadrata



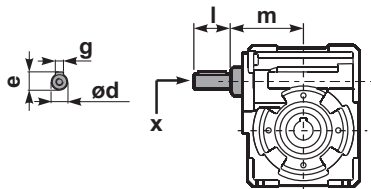
PQ30**FB**... Feet  
Piedini



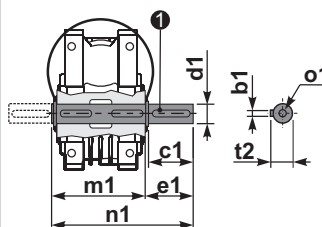
PQ30**BR**... Reaction arm  
Braccio di reazione



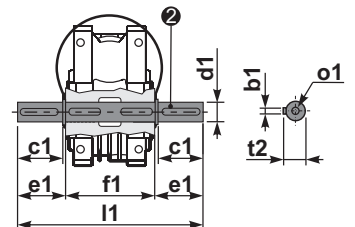
RQ30**FB**... Input shaft  
Albero in entrata



PQ30.....**S**... Single Shaft  
Albero lento semplice



PQ30.....**D**... Double Shaft  
Albero lento bisp.



① kit cod. K030.5.028 type B

② kit cod. K030.5.029 type B

	ød	e	g	l	m	x	kit code
type B	9 h6	10.2	3	20	58	-	K030.5.006 PAM63
type S	-	-	-	-	-	-	-

	b1	c1	d1	e1	f1	l1	m1	n1	t2	o1
type B	5	25	14 <sup>-0.005</sup> <sub>-0.020</sub>	35.5	55	126	59	94.5	16	M5x14
type S	-	-	-	-	-	-	-	-	-	-