

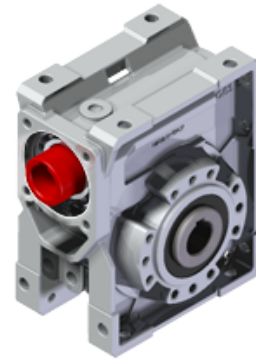
BQ45FB01C0-MB3-

Price

Lead time

Configuration

Type:	B
Size:	Q45
Input:	Metric
Output shaft/bore:	Standard ø18
Mounting:	FB
Mounting position:	B3
Input bore:	-
Coupling:	-



Technical data

Input rpm (n_1):	n.a. min⁻¹
Output rpm (n_2):	n.a. min⁻¹
Ratio (i):	7.00
Nominal power (P_{1R}):	0.80 kW / 1.29 HP
Nominal torque (M_{2R}):	30 Nm / 257 lb in
Dynamic efficiency (RD):	80%

Selection

Motor power (P_{1M}):	n.a.
Output torque (M_{2M}):	n.a.
Service factor (f.s.):	n.a.

Lubrication

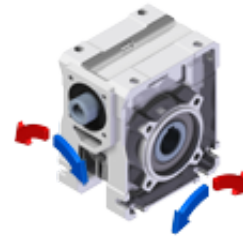
Oil quantity:	0.09l
AGIP:	Telium VSF 320
SHELL:	Omala S4 WE 320

On our website

Features How to order Dimension Accessories/options Electric motors Selection guide - fs Mounting pos. - lubricant Calc. the overhung load	Irreversibility Thermal limit Atex certification Installation check list Spare parts list Complete catalogue Selection by power (xls)
---	---

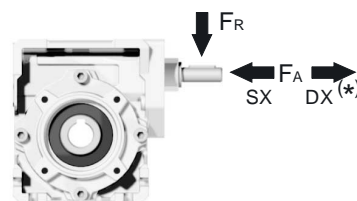
Note

Direction of rotation



Axial and radial loads

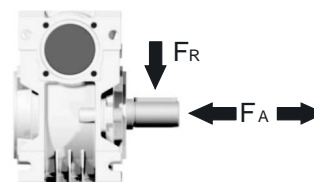
Input shaft



n_2 (min ⁻¹)	FA (N)	FR (N)
1400	42	210

*Strong axial loads in the DX direction are not allowed

Output shaft



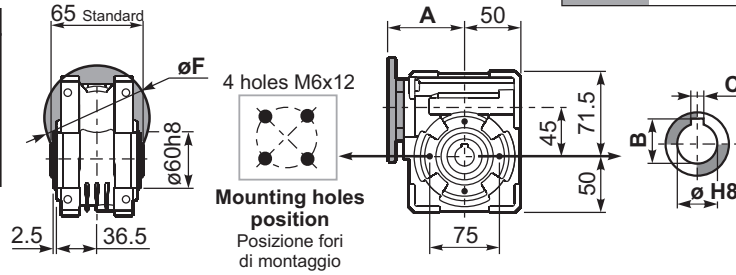
n_2 (min ⁻¹)	FA (N)	FR (N)
200	180	900
150	200	1000
100	220	1100
75	240	1200
50	260	1400
25	300	1800
15	400	2000

Square - Gear
41Nm **Q45**

3D dimensions on the Web

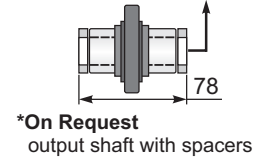
PQ45**FB**... Basic wormbox
Riduttore base

M. flanges	Kit code	øF	A
63B5	K050.4.041	138	80
71B5	K050.4.042	160	77.5
56B14	KC40.4.049	80	77.5
63B14	K050.4.047	90	80
71B14	K050.4.045	105	77.5



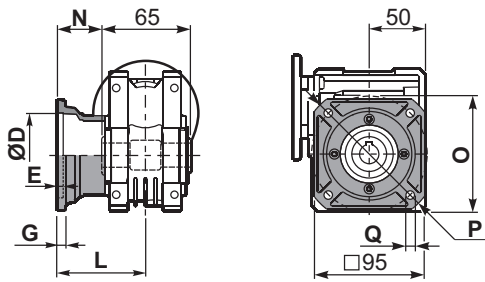
Gearbox weight
peso riduttore **2.30 kg**

ø H8	B	C	*Spacer code
18 Standard	20.8	6	Q45.3.018
19 on request	21.8	6	Q45.3.019
20 on request	22.8	6	Q45.3.020



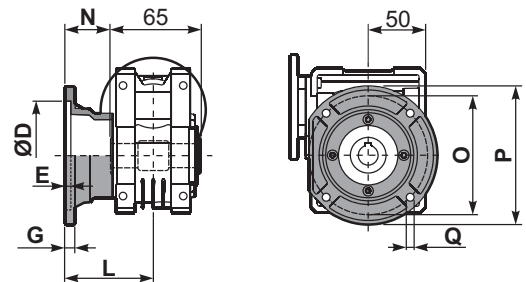
2

PQ45**FC**... Square flange
Flangia quadrata



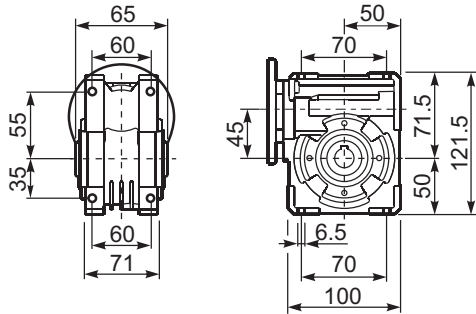
type B	øD	E	G	L	N	O	P	Q	kit code
FC	60 H8	4	7	67	34.5	75	110	9	KQ45.9.010
FL	60 H8	4	7	97	64.5	75	110	9	KQ45.9.011

PQ45**F1**... Round flange
Flangia rotonda

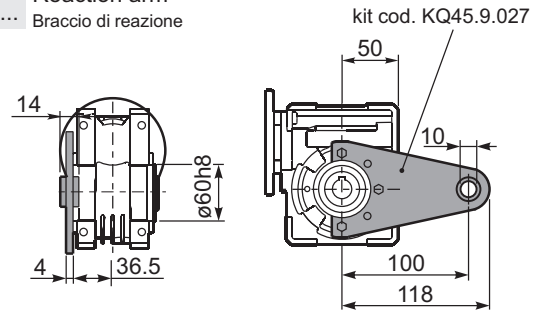


type S	øD	E	G	L	N	O	P	Q	kit code
F1	95H8	5	9	80	47.5	115	140	9.5	KSQ45.9.012
F2	80H8	5	12	58	25.5	100	120	9	KSQ45.9.013

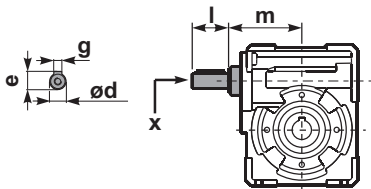
PQ45**FB**... Feet
Piedini



PQ45**BR**... Reaction arm
Braccio di reazione

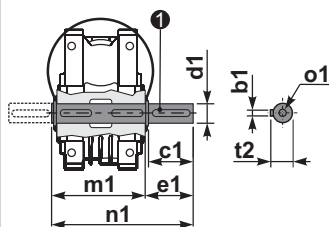


RQ45**FB**... Input shaft
Albero in entrata



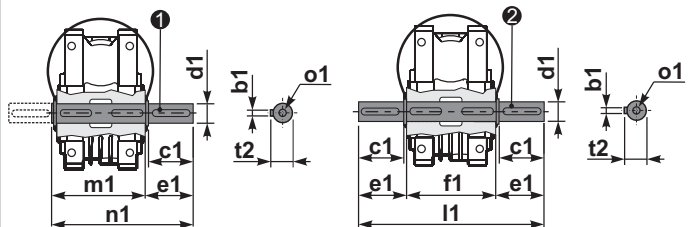
	ød	e	g	l	m	x	kit code
type B	11 h6	12.5	4	30	74	-	① K045.5.006 PAM71 ② -
type S	-	-	-	-	-	-	① - ② -

PQ45.....**S**... Single Shaft
Albero lento semplice



① kit cod. K045.5.028 type B
kit cod. KS045.5.030 type S

PQ45.....**D**... Double Shaft
Albero lento bisp.



② kit cod. K045.5.029 type B
kit cod. KS045.5.031 type S

	b1	c1	d1	e1	f1	l1	m1	n1	t2	o1
type B	6	32	18 ^{-0.005/-0.020}	43	65	151	70	113	20.5	M6x18
type S	6	40	19 ^{-0.005/-0.020}	58.5	65	182	70	128.5	21.5	M8x20