

BQ63FB04C0-MB3-

Price

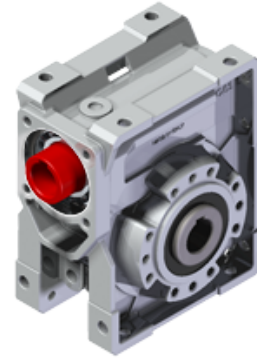
Lead time

Configuration

Type:	B
Size:	Q63
Input:	Metric
Output shaft/bore:	Standard ø25
Mounting:	FB
Mounting position:	B3
Input bore:	-
Coupling:	-

Technical data

Input rpm (n_1):	n.a. min⁻¹
Output rpm (n_2):	n.a. min⁻¹
Ratio (i):	19.00
Nominal power (P_{1R}):	1.40 kW / 2.20 HP
Nominal torque (M_{2R}):	138 Nm / 1159 lb in
Dynamic efficiency (RD):	78%



Selection

Motor power (P_{1M}):	n.a.
Output torque (M_{2M}):	n.a.
Service factor (f.s.):	n.a.

Lubrication

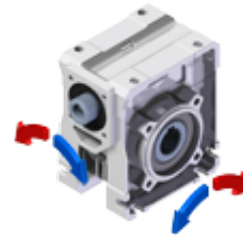
Oil quantity:	0.30l
AGIP:	Telium VSF 320
SHELL:	Omala S4 WE 320

On our website

Features How to order Dimension Accessories/options Electric motors Selection guide - fs Mounting pos. - lubricant Calc. the overhung load	Irreversibility Thermal limit Atex certification Installation check list Spare parts list Complete catalogue Selection by power (xls)
---	---

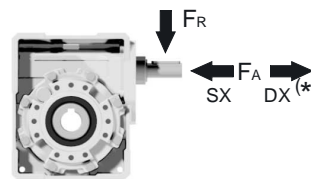
Note

Direction of rotation



Axial and radial loads

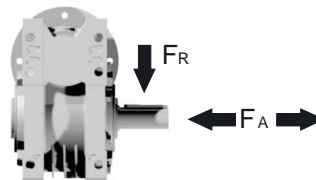
Input shaft



n_2 (min ⁻¹)	FA (N)	FR (N)
1400	90	450

*Strong axial loads in the DX direction are not allowed

Output shaft



n_2 (min ⁻¹)	FA (N)	FR (N)
200	360	1800
150	400	2000
100	460	2300
75	500	2500
50	600	3000
25	700	3800
15	800	4000

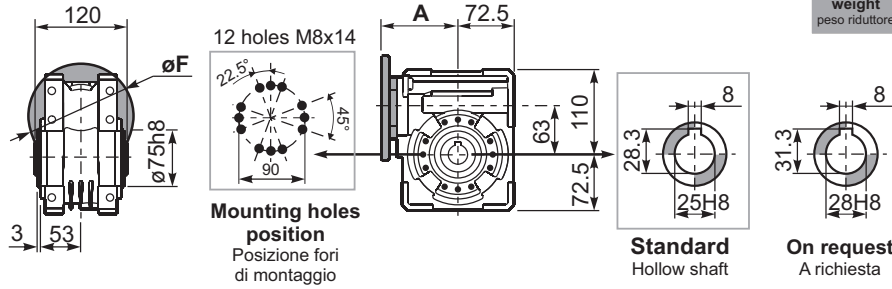
Square - Gear
147Nm Q63

3D dimensions on the Web

PQ63**FB**... Basic wormbox
Riduttore base

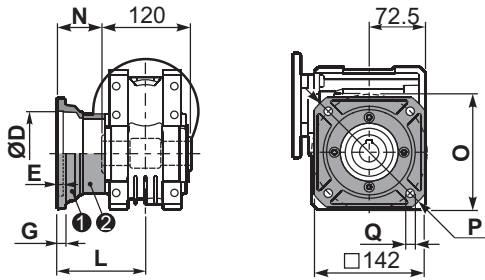
Gearbox weight
peso riduttore **6.00 kg**

M. flanges	Kit code	øF	A
63B5	K063.4.041	140	99.5
71B5	K063.4.042	160	97.5
80/90B5	K063.4.043	200	99.5
71B14	K063.4.047	105	97.5
80B14	K063.4.046	120	99.5
90B14	K063.4.041	140	99.5



PQ63**FC**... Square flange
Flangia quadrata

PQ63**F1**... Round flange
Flangia rotonda

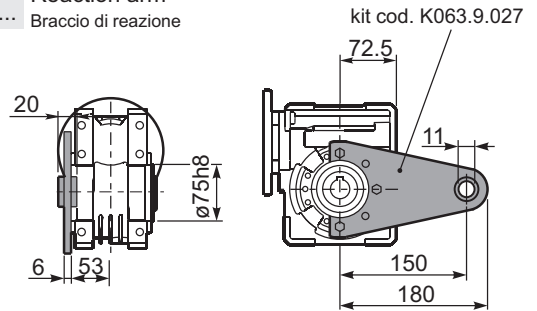
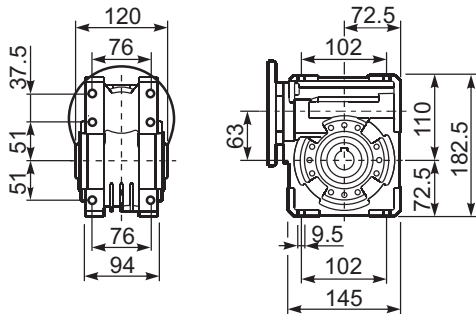


type B	øD	E	G	L	N	O	P	Q	kit code
FC	115 ^{+0.20} / _{+0.15}	6	12	86	26	150	180	11	1 KQ63.9.010 2 -
FL	115 ^{+0.20} / _{+0.15}	6	12	116	56	150	180	11	1 KQ63.9.010 2 K063.0.200

type S	øD	E	G	L	N	O	P	Q	kit code
F1	130 ^{+0.20} / _{+0.15}	7	13	110	50	165	200	13	1 KS070.9.013 2 -
F2	115 ^{+0.20} / _{+0.15}	7	13	124	64	150	175	11	1 KS063.9.013 2 -
F3	110 ^{+0.035} / ₀	5	11	90	30	130	160	10	1 KS063.9.011 2 -

PQ63**FB**... Feet
Piedini

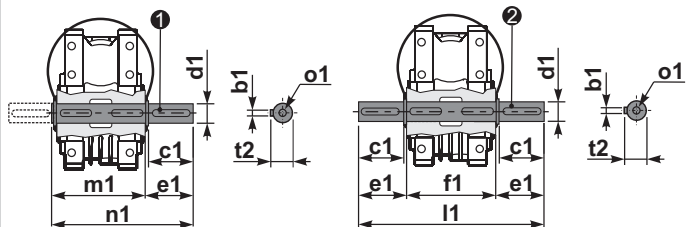
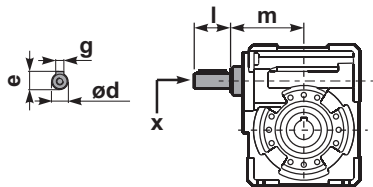
PQ63**BR**... Reaction arm
Braccio di reazione



RQ63**FB**... Input shaft
Albero in entrata

PQ63.....**S**... Single Shaft
Albero lento semplice

PQ63.....**D**... Double Shaft
Albero lento bisp.



1 kit cod. K063.5.028 type B

2 kit cod. K063.5.029 type B

	ød	e	g	l	m	x	kit code
type B	18 h6	20.5	6	45	93	M6x16	1 K063.5.006 PAM80 2 K063.5.007 PAM90
type S	19 h6	21.5	6	40	93	M8x20	1 KS063.5.008 PAM80 2 KS063.5.009 PAM90

	b1	c1	d1	e1	f1	l1	m1	n1	t2	o1
type B	8	60	25 ^{-0.005} / _{-0.020}	63.2	120	246.4	126.8	190	28	M8x20
type S	-	-	-	-	-	-	-	-	-	-