

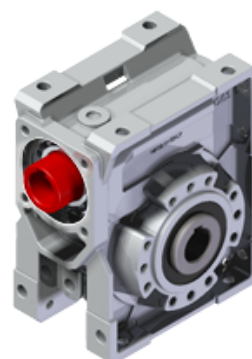
# BQ85FB01C0-MB3-

Price

Lead time

## Configuration

Type:	<b>B</b>
Size:	<b>Q85</b>
Input:	<b>Metric</b>
Output shaft/bore:	<b>Standard ø35</b>
Mounting:	<b>FB</b>
Mounting position:	<b>B3</b>
Input bore:	-
Coupling:	-



## Technical data

Input rpm ( $n_1$ ):	<b>n.a. min<sup>-1</sup></b>
Output rpm ( $n_2$ ):	<b>n.a. min<sup>-1</sup></b>
Ratio (i):	<b>7.00</b>
Nominal power ( $P_{1R}$ ):	<b>6.10 kW / 9.90 HP</b>
Nominal torque ( $M_{2R}$ ):	<b>257 Nm / 2168 lb in</b>
Dynamic efficiency (RD):	<b>88%</b>

## Selection

Motor power ( $P_{1M}$ ):	<b>n.a.</b>
Output torque ( $M_{2M}$ ):	<b>n.a.</b>
Service factor (f.s.):	<b>n.a.</b>

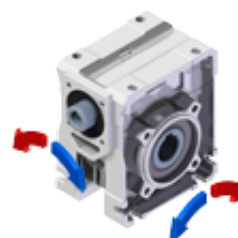
## Lubrication

Oil quantity:	<b>1.20l</b>
AGIP:	<b>Telium VSF 320</b>
SHELL:	<b>Omala S4 WE 320</b>

## On our website

<a href="#">Features</a>	<a href="#">Irreversibility</a>
<a href="#">How to order</a>	<a href="#">Thermal limit</a>
<a href="#">Dimension</a>	<a href="#">Atex certification</a>
<a href="#">Accessories/options</a>	<a href="#">Installation check list</a>
<a href="#">Electric motors</a>	<a href="#">Spare parts list</a>
<a href="#">Selection guide - fs</a>	<a href="#">Complete catalogue</a>
<a href="#">Mounting pos. - lubricant</a>	<a href="#">Selection by power (xls)</a>
<a href="#">Calc. the overhung load</a>	

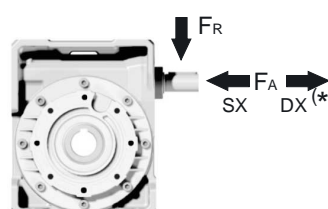
## Direction of rotation



## Note

## Axial and radial loads

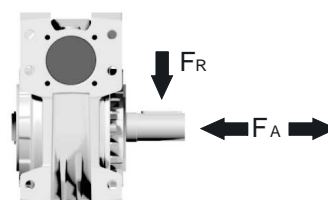
Input shaft



$n_2$ (min <sup>-1</sup> )	FA (N)	FR (N)
<b>1400</b>	160	809

\*Strong axial loads in the DX direction are not allowed

Output shaft



$n_2$ (min <sup>-1</sup> )	FA (N)	FR (N)
<b>200</b>	500	2500
<b>150</b>	580	2900
<b>100</b>	600	3000
<b>75</b>	700	3500
<b>50</b>	800	4000
<b>25</b>	1000	5000
<b>15</b>	1160	5800

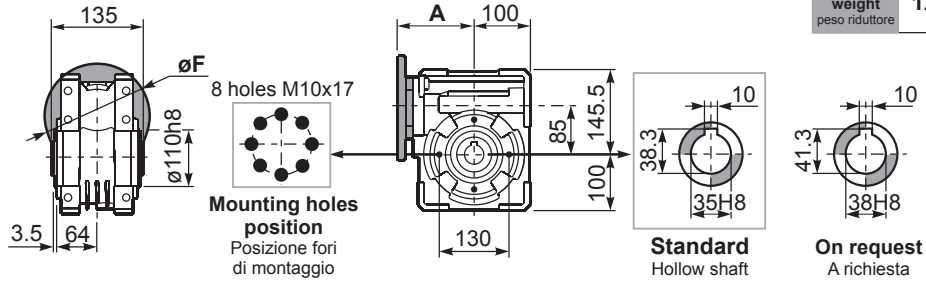
Square - Gear  
347Nm **Q85**

3D dimensions on the Web

PQ85**FB**... Basic wormbox  
Riduttore base

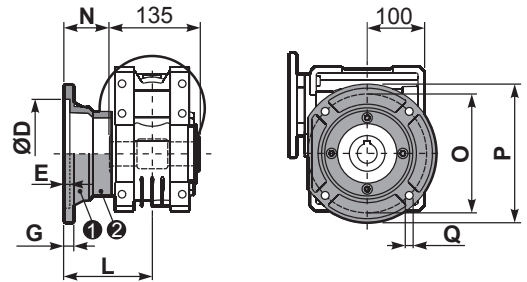
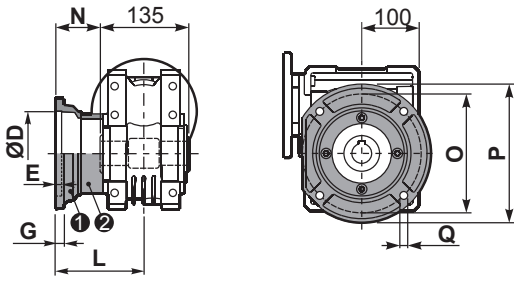
Gearbox weight  
peso riduttore **12.1 kg**

M. flanges	Kit code	øF	A
71B5	K023.4.041	160	116.5
80/90B5	K023.4.042	200	118.5
100/112B5	K023.4.043	250	127.5
80B14	K085.4.046	120	118.5
90B14	K085.4.045	140	118.5
100/112B14	K085.4.047	160	127.5



PQ85**FC**... Output flange  
Flangia uscita

PQ85**F1**... Output flange  
Flangia uscita

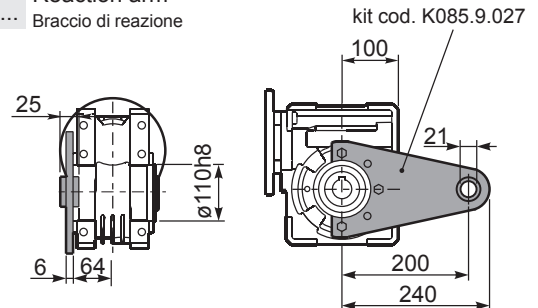
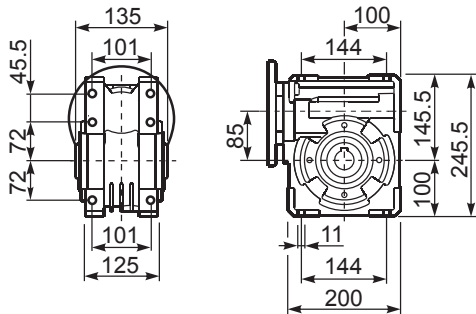


type B	øD	E	G	L	N	O	P	Q	kit code
FC	152 <sup>+0.06</sup> / <sub>+0.00</sub>	5	16	108	40.5	176	205	13	① K085.9.010 ② -
FL	152 <sup>+0.06</sup> / <sub>+0.00</sub>	5	16	148.5	81	176	205	13	① K085.9.010 ② K085.0.201

type S	øD	E	G	L	N	O	P	Q	kit code
F1	130 H7	5	13	117.5	50	165	200	11.5	① KS085.9.012 ② -
F2	152 <sup>+0.06</sup> / <sub>+0.00</sub>	5	15	147.5	80	180	205	12.5	① KS085.9.013 ② -
F4	130 H7	5	13	106.5	39	165	200	13	① KS085.9.015 ② -

PQ85**FB**... Feet  
Piedini

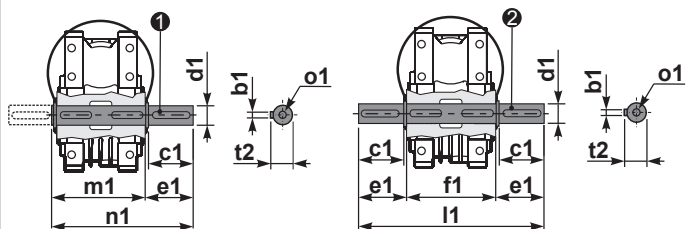
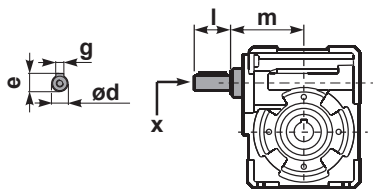
PQ85**BR**... Reaction arm  
Braccio di reazione



RQ85**FB**... Input shaft  
Albero in entrata

PQ85.....**S**... Single Shaft  
Albero lento semplice

PQ85.....**D**... Double Shaft  
Albero lento bisp.



① kit cod. K085.5.028 type B

② kit cod. K085.5.029 type B

	ød	e	g	l	m	x	kit code
type B	25 h6	28	8	50	112	M8x20	① K085.5.007 PAM90 ② K085.5.008 PAM100
type S	24 h6	27	8	50	112	M8x20	① KS085.5.009 PAM90 ② KS085.5.011 PAM100

	b1	c1	d1	e1	f1	l1	m1	n1	t2	o1
type B	10	60	35 <sup>-0.005</sup> / <sub>+0.020</sub>	73.5	135	282	141	214.5	38	M10x23
type S	-	-	-	-	-	-	-	-	-	-